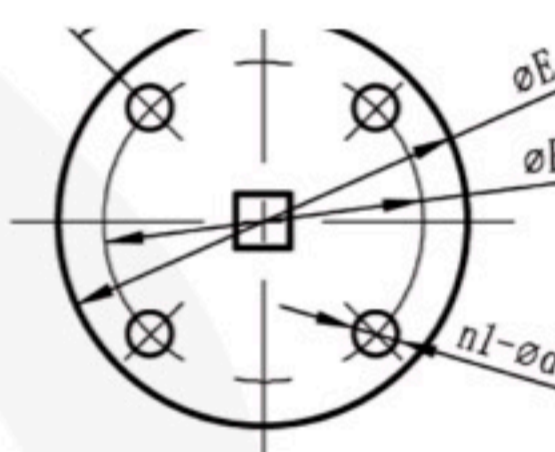
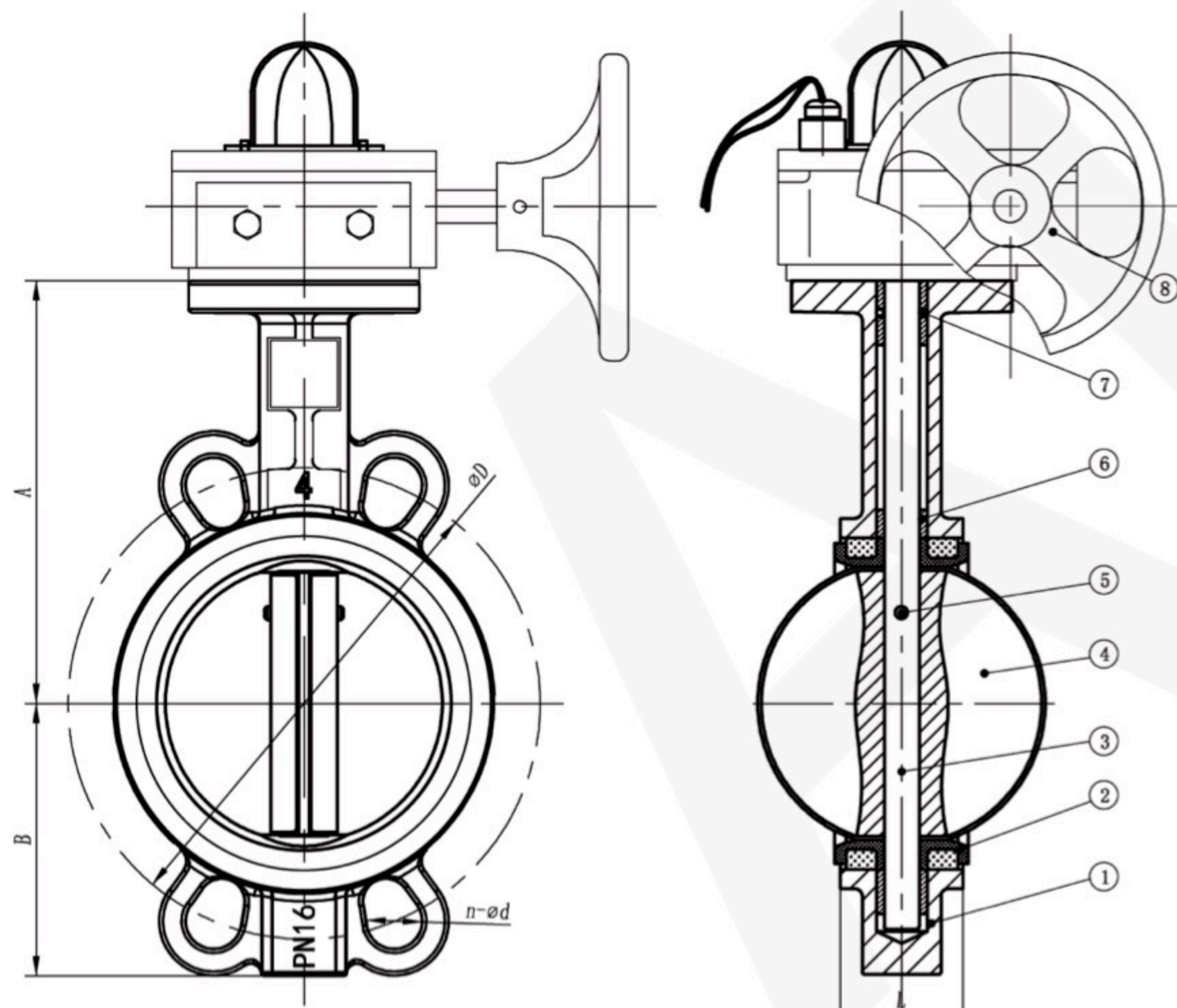


WAFER BUTTERFLY VALVE WITH SIGNAL GEARBOX MODEL FIG065

PRODUCTION STANDARDS

MODEL FIG065 | DN50 - DN300
PN10 - PN16

Nominal test	1.6	MPa
Shell Tesst Pressure (Hydraulic)	2.4	
Shell Tesst Pressure (Hydraulic)	1.76	
Design Temperture	-10°C ~ 100°C	
Applicable Media	Water, Oil, Gas	
Excutive Standard		
Design \$ Manufacture	API609	
Face to face	API609	
End Flange	EN1092-1 PN10/PN16	
Inspection & Test	API598	



MATERIAL SELECTION

No	Name	Material
1	Body	DI
2	Disc	CF8
3	Stem	SS410
4	Tapper pin	SS304
5	Seat	EPDM
6	Bushing	Polymer
7	O ring	EPDM
8	Gear box	DI

Size		L	A	B	H	IOS5211				PN10		PN16	
mm	inch					Top Flange	ØE	ØC1	n1-Ød1	ØD	n-Ød	ØD	n-Ød
50	2	42	129	71	9	F05	65	50	4-8	125	4-19	125	4-19
65	2.5	45	138.5	82.5	9	F05	65	50	4-8	145	4-19	145	4-19
80	3	45.5	146	96	9	F05	65	50	4-8	160	8-19	160	8-19
100	4	51.5	164.5	110.5	11	F07	90	70	4-10	180	8-19	180	8-19
125	5	55	180.5	127.5	14	F07	90	70	4-10	210	8-19	210	8-19
150	6	55.5	201	142	14	F07	90	70	4-10	240	8-23	240	8-23
200	8	60	235	169	17	F10	125	102	4-12	295	8-23	295	12-23
250	10	65.5	267	207	22	F10	125	102	4-12	350	12-23	355	12-23
300	12	78	320	243	22	F10	125	102	4-12	400	12-23	410	12-23