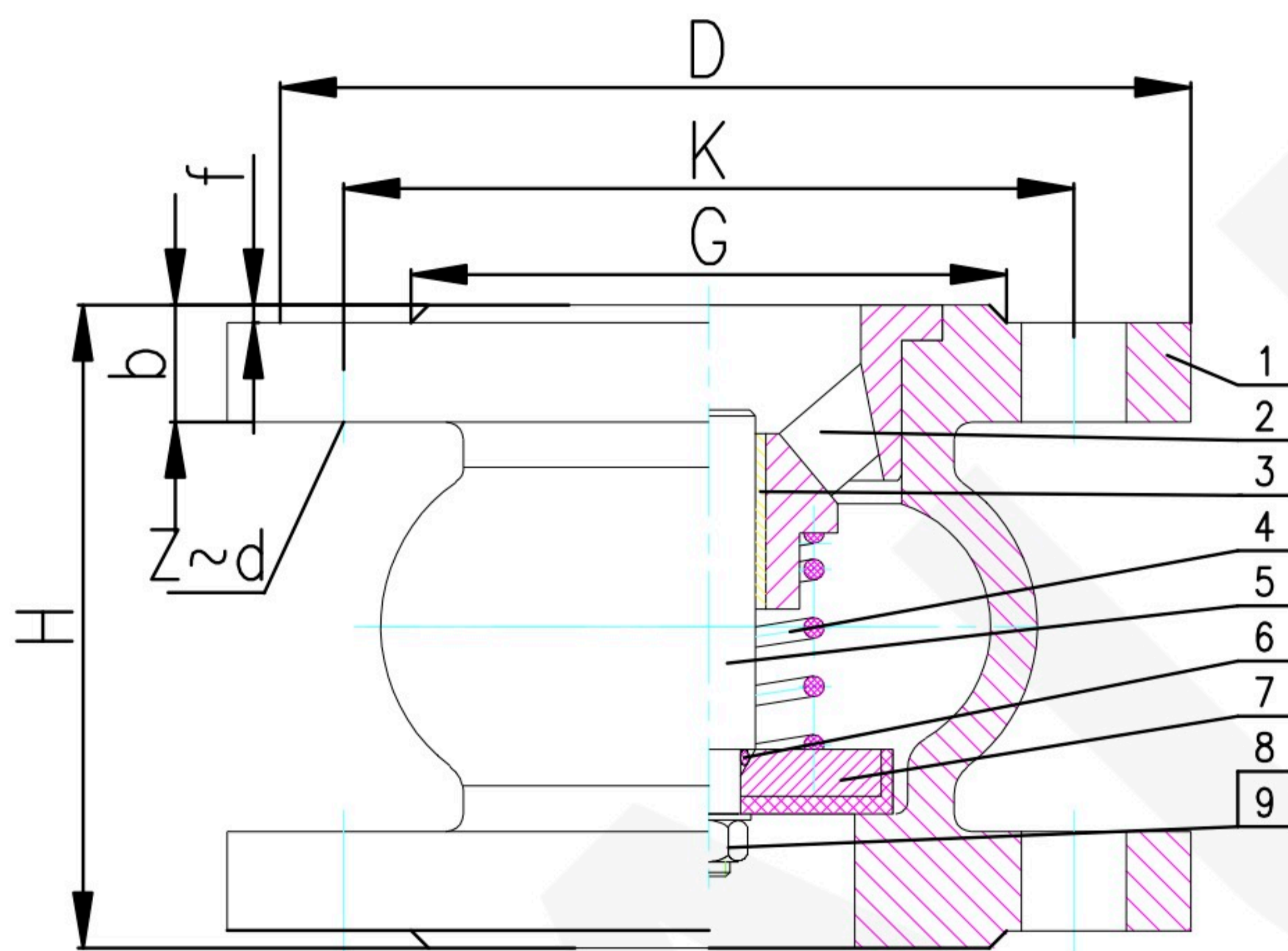


# SILENT CHECK VALVE MODEL FIG023



## PRODUCTION STANDARDS

**MODEL FIG023 | DN40 - DN300  
PN10 - PN16**

**Design** ISO Standard

**Test** BS6755

**Flange** BS4504

Nominal pressure		1.0MPa	1.6 MPa
Test Pressure	Shell	15.0Bar	24.0Bar
	Seal	11.0Bar	17.6Bar

No	Part name	Material
1	Body	GGG50
2	Bonnet	GGG50
3	Brush	BRASS
4	Spring	SS304
5	Guiding Stem	X20Cr13
6	O-ring	NBR
7	Disc	GGG50+EPDM
8	Nut	SS201
9	Washer	SS201

## DIMENSIONS

DN(mm)	D	K	G	H	b	f	Z-d
		PN10/16	PN10/16				PN10/16
40	150	110	88	100	19	3	4-Ø19
50	165	125	100	100	19	3	4-Ø19
65	185	145	120	120	19	3	4-Ø19
80	200	160	135	140	19	3	8-Ø19
100	220	180	156	170	19	3	8-Ø19
125	250	210	186	200	19	3	8-Ø19
150	285	240	212	230	19	3	8-Ø23
200	340	295	268	300	20	3	8-Ø23/12-Ø23
250	405	350/355	318	370	24.5	3	12-Ø23/12-Ø28
300	460	400/410	373	410	26.5	3	12-Ø23/12-Ø28