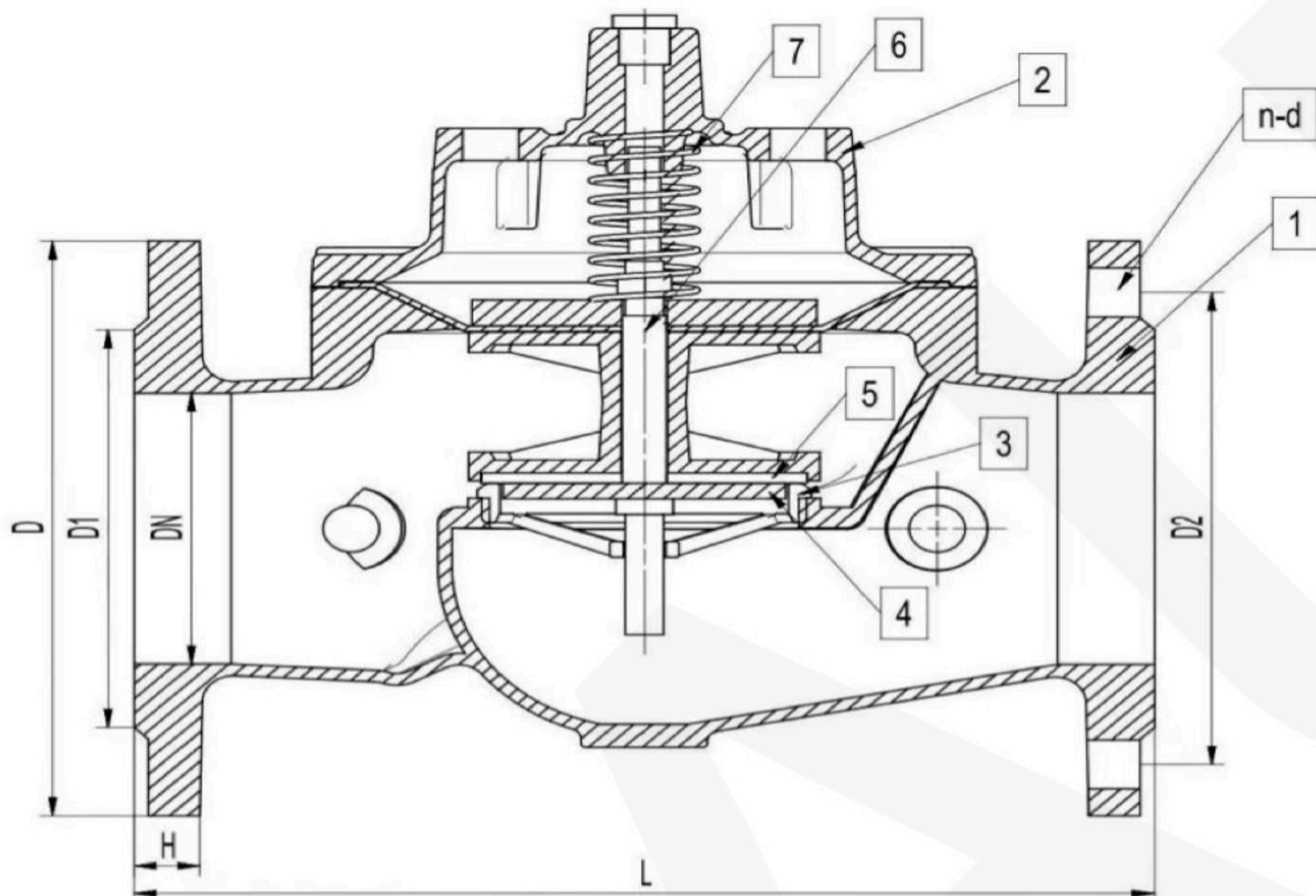


FLOATING VALVE MODEL FIG09



PRODUCTION STANDARDS

MODEL FIG09 | DN50 - DN300
PN10 - PN16

Design	EN 1074-5
Flange	BS 4504
Test	BS 6755

MATERIAL SELECTION

No	Items	Material
1	Body	Ductile Iron
2	Bonnet	Ductile Iron
3	Seat	SS304
4	Gasket	EPDM
5	Gland	Ductile Iron
6	Stem	SS410
7	Spring	SS304
8	Float ball	Stainless Steel

Reference Standard

Medium	Water
Temperature	0-80°C
Seal Test	11 bar / 17.6 bar
Shell Test	15/ bar / 24 bar
PN	PN10 / 16 bar

DIMENSIONS

Size DN	L	PN10			PN16			D2
		D	D1	N-d	D	D1	N-d	
50	235	165	125	4-Ø19	165	125	4-Ø19	99
65	240	185	145	4-Ø19	185	145	4-Ø19	118
80	290	200	160	8-Ø19	200	160	8-Ø19	132
100	305	220	180	8-Ø19	220	180	8-Ø19	156
125	340	250	210	8-Ø19	250	210	8-Ø19	184
150	400	285	240	8-Ø23	285	240	8-Ø23	211
200	425	340	295	12-Ø23	340	295	12-Ø23	266
250	505	395	355	12-Ø23	405	355	12-Ø28	319
300	600	445	400	12-Ø23	460	410	12-Ø26	370