

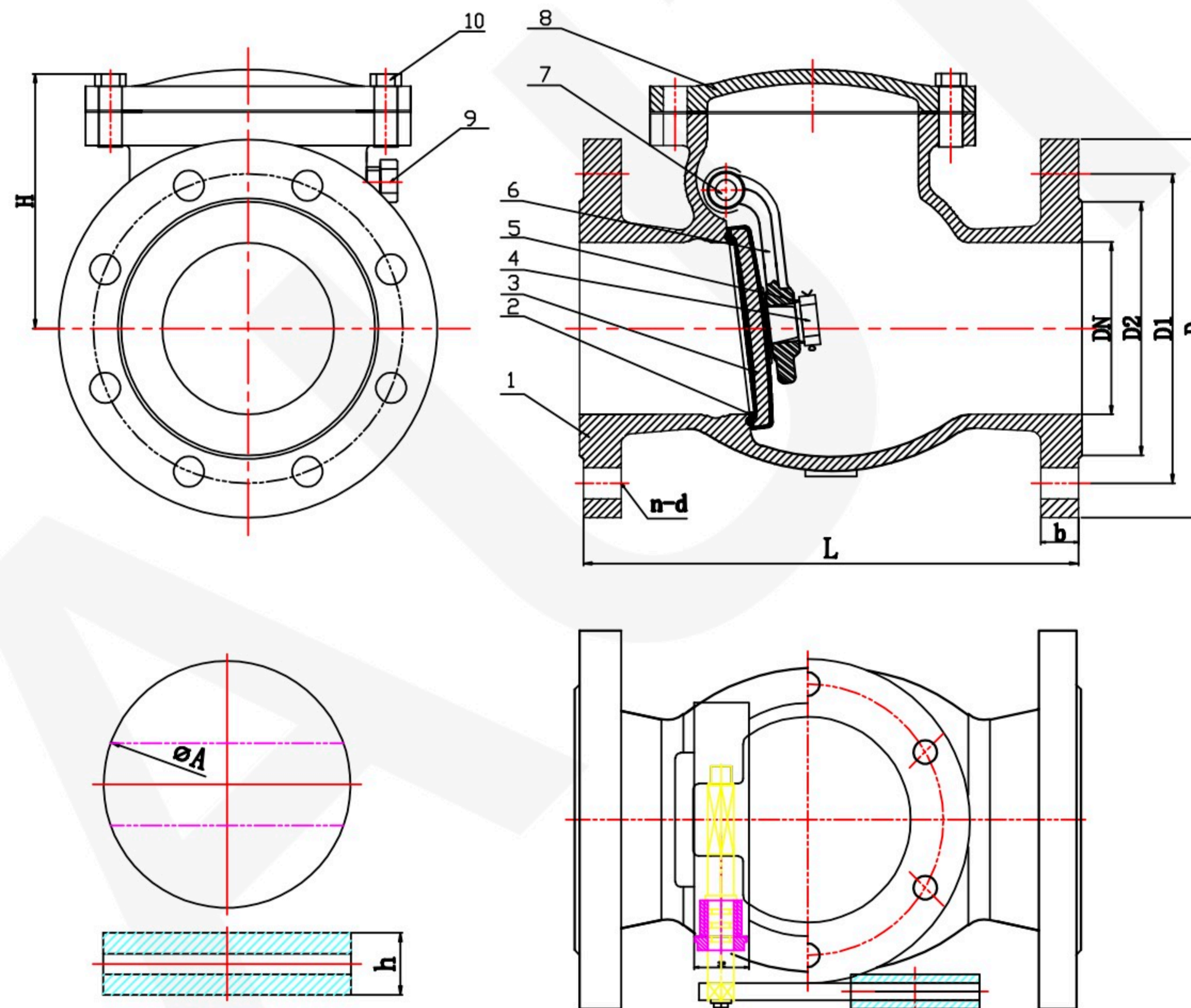
CHECK VALVE LEVER & WEIGHT TYPE METAL SEAT DIN3202-F6 MODEL FIG021



PRODUCTION STANDARDS

MODEL FIG021 | DN50 - DN300
PN10 - PN16

Flange drilled	EN1092-2
Face to Face	BS 5153
Pressure Class	PN 10/16
Corrosion Protection	Electrostatic Powder Epoxy



DIMENSIONS

DN	L	D	H	D1	D2	b	n-d
50	203	165	137	125	102	14	4-18
65	216	185	147	145	122	14	4-18
80	241	200	159	160	138	17	8-18
100	292	220	180	180	158	17	8-18
123	330	250	203	210	188	19	8-18
150	356	285	223	240	212	19	8-22
200	495	340	258	295	268	22	12-22
250	622	405	290	355	320	23	12-28
300	696	460	325	410	378	26	12-28

MATERIAL SELECTION

Item	Name	Qty	Material
1	Body	1	GGG50
2	Disc Seat	1	Brass
3	Disc	1	GGG50
4	Cap	1	40Cr
5	Washer	1	40Cr
6	Plug	1	GGG50
7	Plug axie	1	2Cr13
8	Bonet	1	GGG50
9	Bolt	1	40Cr
10	Bolt	4	40Cr

CHECK VALVE LEVER & WEIGHT TYPE METAL SEAT DIN3202-F6 MODEL FIG021



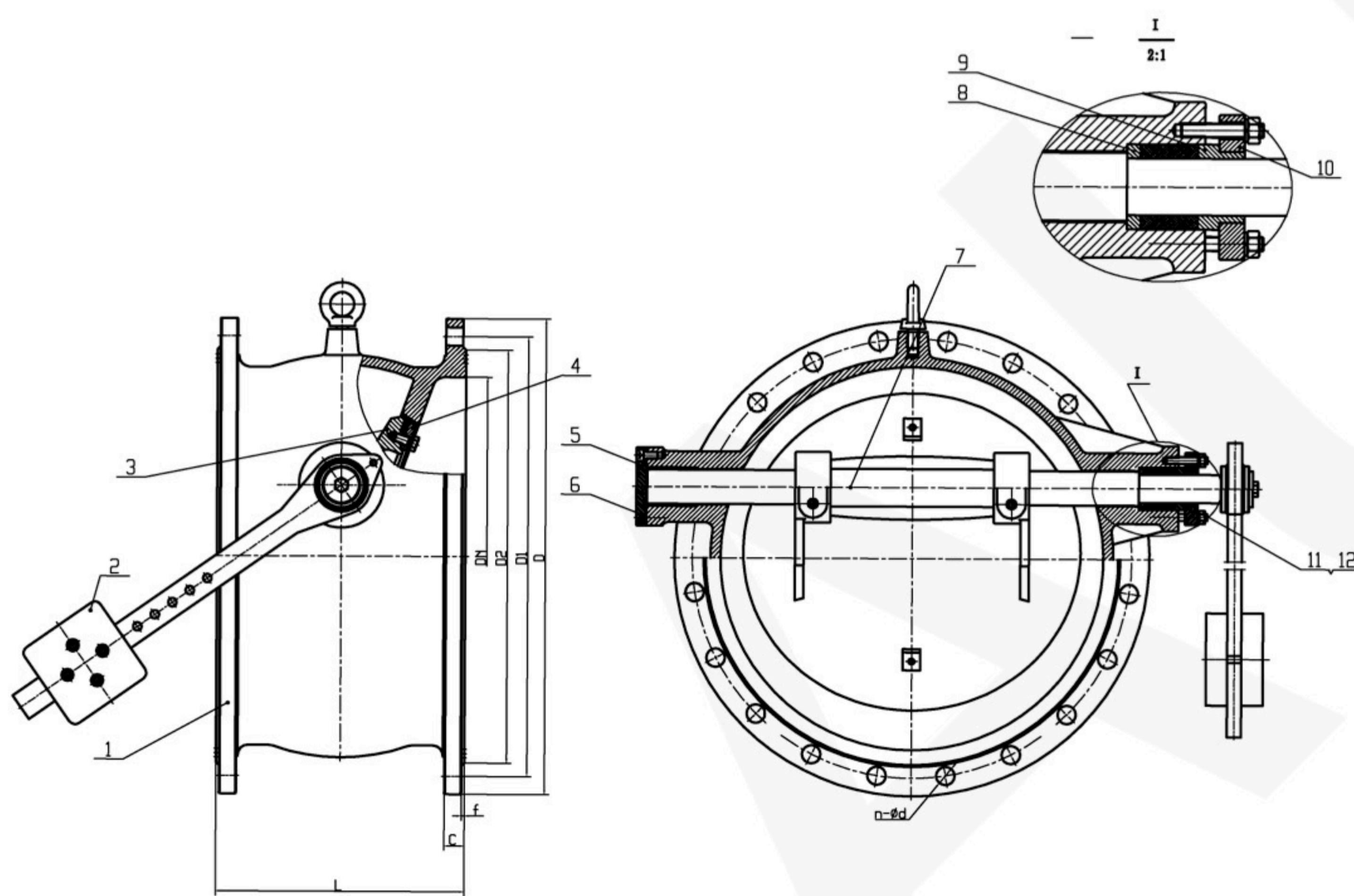
PRODUCTION STANDARDS

MODEL FIG021 | DN250 - DN400
PN10 - PN16

Medium	Water
Shell test	2.4 Mpa
Seal test	1.76 Mpa
Temperature	0~80

MATERIAL SELECTION

Item	Name	Qty	Material
1	Body	1	Ductile Iron
2	Lever	1	Q235A
3	Disc	1	Ductile Iron
4	Sealing	1	NBR
5	Bearing	1	Brass
6	Cap	1	SS304
7	Stem	1	2Cr13
8	Packing	1	NBR
9	Bushing	1	SS304
10	Gland	1	SS304
11	Bolt	1	A2-70
12	Nut	1	A2-70



DIMENSIONS

DN	L	D	D1	D2	c	f	n-d
250	250	405	355	319	26	3	12-28
300	270	460	410	370	28	4	12-28
350	290	520	470	429	30	4	16-28
400	310	580	525	480	32	4	16-31