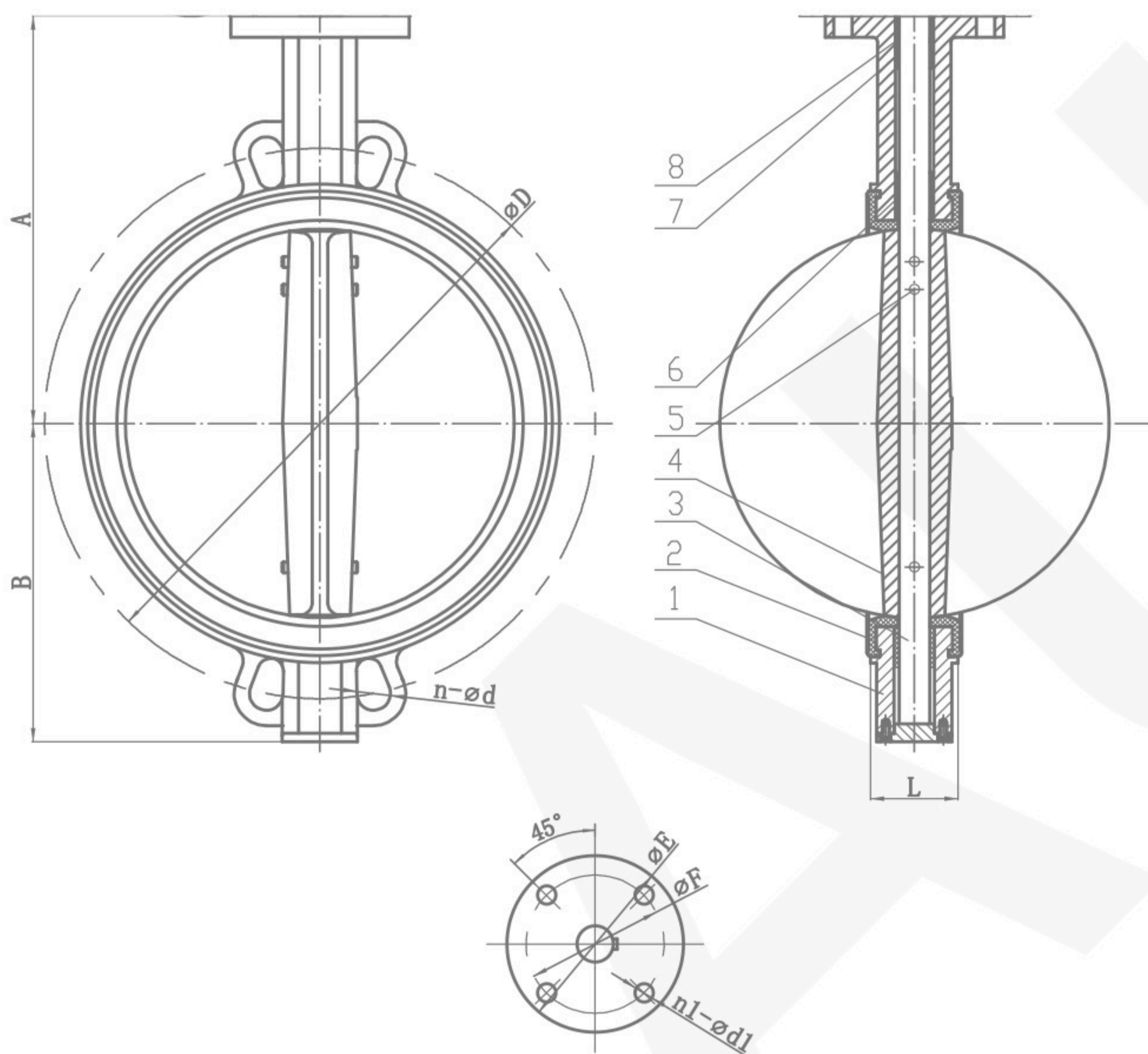
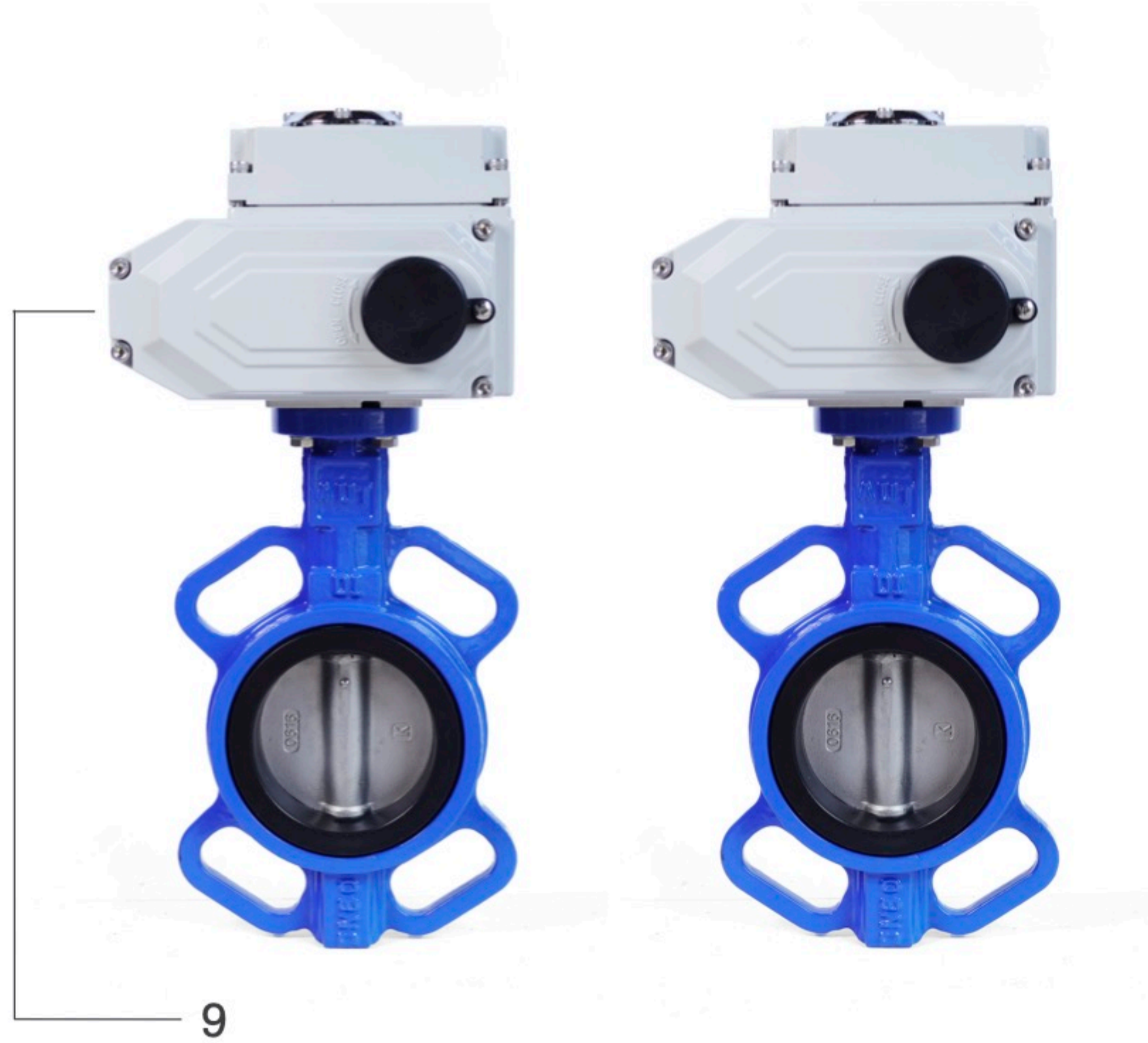


BUTTERFLY VALVE WITH ELECTRIC ACTUATOR MODEL FIG066



PRODUCTION STANDARDS

MODEL FIG066 | DN50 - DN300
PN10 - PN16

Design	BS STANDARD
Face to Face	ISO5752 SERIES 20
Test	BS6755

MATERIAL SELECTION

NO	Parts	Materials
1	Body	DI
2	Stem	EPDM
3	Disc	SS410
4	Seat	SS304
5	Bushing	SS304
6	Tapper pin	Polymer
7	O ring	Polymer
8	Lever	EPDM
9	Electric Actuator	

VALUE TEST PRESSURE (BAR)

Nominal Pressure	PN10	PN16
Shell Pressure	15	24
Seal Pressure	11	17.6
Max.Temp	70 C	

DIMENSIONS

DN	A	B	L	ØD		n-Ød	ISO5211			
							Top Flange	ØE	ØF	n1-Ød1
50	132	72	42	125	125	4 - 18 / 4 - 18	F05	65	50	4 - 8
65	138	82	45	145	145	4 - 18 / 4 - 18	F05	65	50	4 - 8
80	153	96	45	160	160	8 - 18 / 8 - 18	F05	65	50	4 - 8
100	169	109	52	180	180	8 - 18 / 8 - 18	F07	90	70	4 - 10
125	183	125	54	210	210	8 - 22 / 8 - 22	F07	90	70	4 - 10
150	195	137	56	240	240	8 - 22 / 8 - 22	F07	90	70	4 - 10
200	235	170	60	295	295	8 - 22 / 12 - 22	F10	125	102	4 - 12
250	267	207	66	350	355	12 - 22 / 12 - 26	F10	125	102	4 - 12
300	305	236	77	400	410	12 - 22 / 12 - 26	F10	125	102	4 - 12